



Instructions

1 / 5 2-STROKE OFF ROAD RC

Baja 5SC



Baja 5T



Baja 5B

RTR

2-STROKE

2.4GHZ

Congratulations on your purchase of the Rofun BAJA series! This product is crafted from high-quality materials and features a classic, yet innovative design, making it both easy to maintain and durable. Please take the time to carefully read the instructions to ensure you get the best performance from your Rofun BAJA.



Failure to follow the instructions outlined in this manual may result in damage to your Rofun BAJA, as well as collateral damage to spare parts and the risk of serious bodily injury.



Failure to follow this instruction manual may result in serious injury to you and others.



- To prevent serious personal injury and/or property damage, please operate this vehicle responsibly. This vehicle runs on a flammable mixture of gasoline (petrol) and two-stroke oil and has a maximum speed of approximately 70 km/h.
- Children under 14 years old are prohibited from operating this vehicle.
- Operate the vehicle only in large, open areas free from traffic, pedestrians, and other obstacles that could cause harm or damage.

Guidelines for Safe Handling of the Engine & Fuel



- Only use a mixture of gasoline (petrol 91 - 98 octane) and a quality performance 2-stroke oil at a ratio of 25:1 for fuel.
- Never operate your vehicle near open flames. Never smoke while operating your vehicle or while handling fuel.
- When fueling the vehicle, ensure the vehicle is on level ground, and away from flame and other high temperature areas. Always wear the appropriate safety protective equipment.
- Only use a mixture of gasoline (petrol) and 2-stroke oil for fuel in this vehicles engine. Do not use other fuel.
- Practice caution around gasoline (petrol) as it's flammable and poisonous.
- Do not touch the engine or any surrounding components, such as the exhaust muffler, as they can become extremely hot during use.
- Please clean the fuel tank after operating this vehicle.
- Children must be kept away from the area when this vehicle is in operation.

Packing List

- Assembled RC Vehicle
- Transmitter
- Receiver battery
- Tools & instruction manual
- Charger

The exact packing list may vary depending on your region and vehicle specifications. If you believe an item is missing, please contact your retailer's customer support.

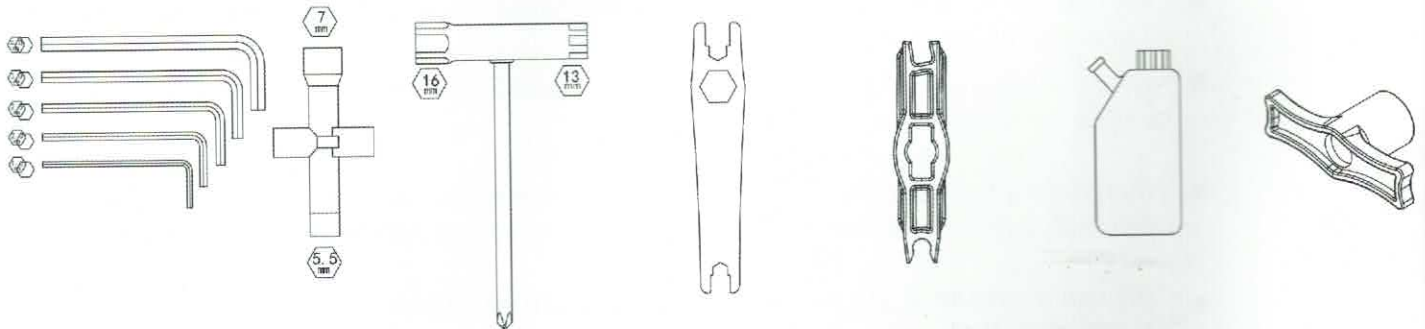


The transmitter equipment and other spare parts may be updated in future models, potentially differing from the current illustrations.

2

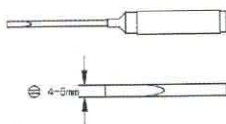
Included Tools

Allen wrench Cross wrench Spark plug wrench Metal hexagon key Plastic hexagon key Mixed fuel ratio can Wheel wrench



Required Equipment

Flat head screwdriver



AA Batteries for controller



Gasoline (Petrol) & 2-stroke oil

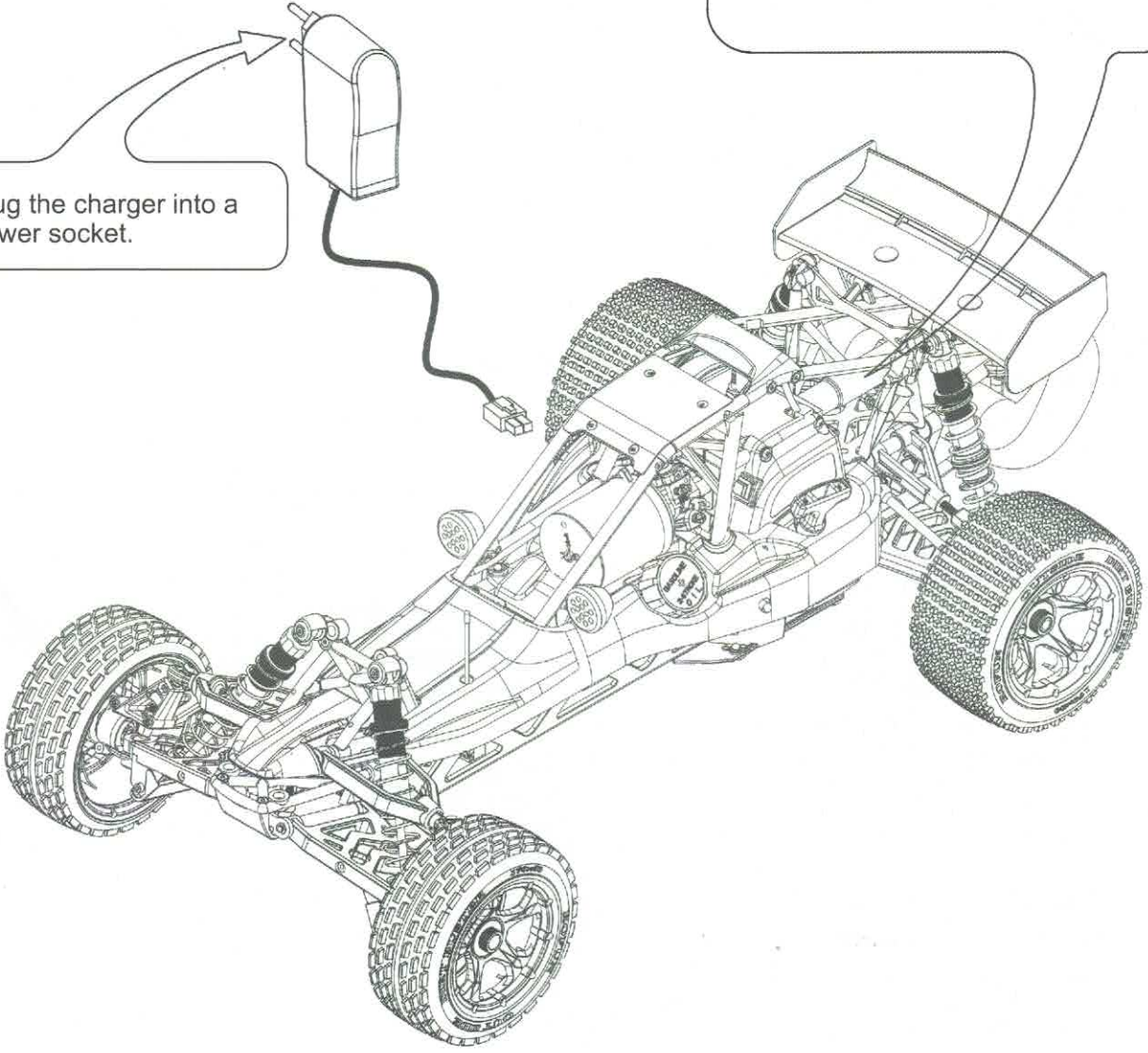




Never leave the battery charging unattended.



Caution! Do not touch the engine or exhaust pipe before they have cooled down, as they can become extremely hot during operation of this vehicle.



Plug the charger into a power socket.



Caution

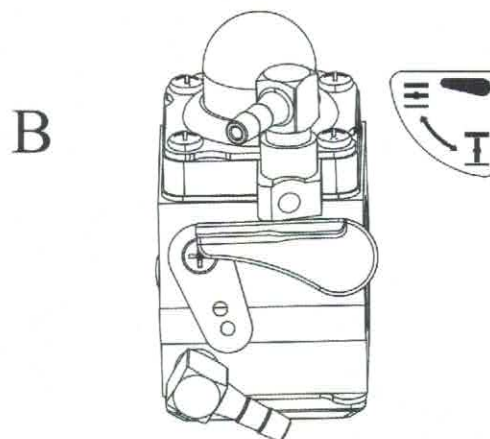
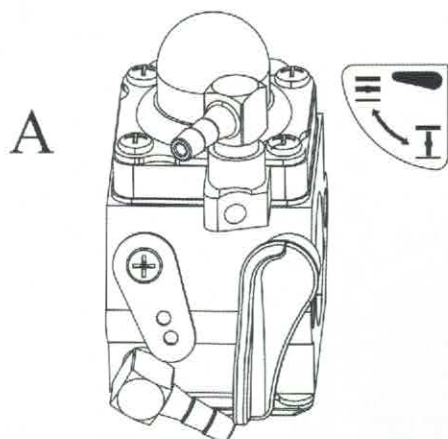
- Do not use any other charger.
- Charging time is approximately 4 hours.
- Do not use this charger to charge other batteries.
- Keep batteries away from children and water.

Vehicle Starting And Running

Startup sequence: Transmitter Power On (Hand Controller) ⇒ Receiver Power On (On Vehicle) ⇒ Engine Start (Pull Start)

Priming The Engine

The engine must be primed before it can be successfully started. Push the primer bulb until you can see fuel in the yellow return tube.



Starting Procedure: Cold Engine

Step 1: Set the choke lever in the DOWN position as shown in Diagram A.

Pull the start cord quickly and continuously (about three times) until you hear the engine fire and nearly start, then stop immediately. Continuing to attempt to start the engine with the choke in this position may flood the engine.

- Be careful not to flood the engine with fuel.
- Do not pull more than 50cm (20inch) or you can damage the pull start assembly.

Step 2: Set the choke lever in the UP position as shown in Diagram B.

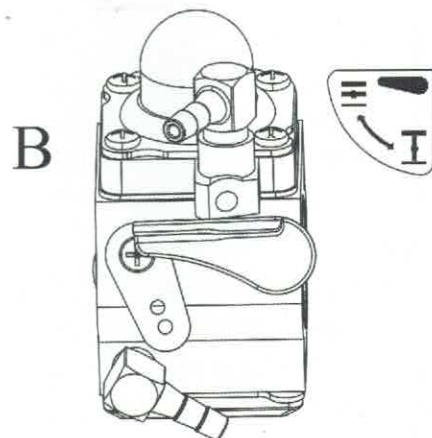
Pull the start cord to start the engine.

The engine should start within 6 pulls.

Starting Procedure: Warm Engine

Set the choke lever as shown in Step B.

Pull the start cord in a quick continuous motion to start the engine. The engine should start within 6 pulls.



Engine Break-In

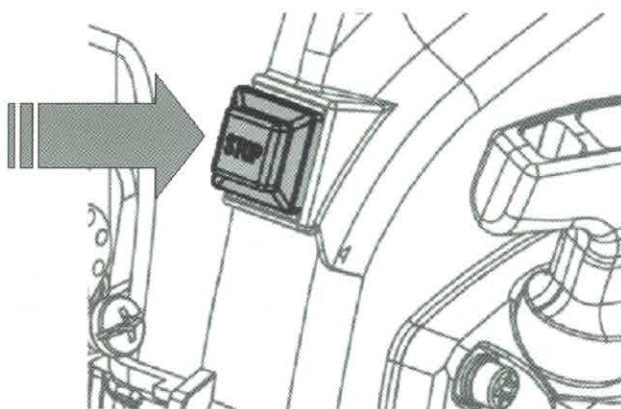
Engine break-in is essential for ensuring longevity and performance. It helps ensure that internal components are properly lubricated, bedded in with one another, and that the engine becomes accustomed to running at temperature and under load. Engine break-in is achieved by gently running a full tank of fuel through the engine, allowing it to cool down regularly during the process.



Attention

- Do not adjust the factory carburetor settings, as doing so may damage the engine.
- Do not touch the engine or any surrounding components, such as the exhaust muffler, as they can become extremely hot during use.
- Please do not turn off the transmitter and receiver power before stopping the engine, as this may result in losing control of the vehicle.

Press this engine kill switch to stop the engine



Power Down Sequence

Engine Off (Press Killswitch)



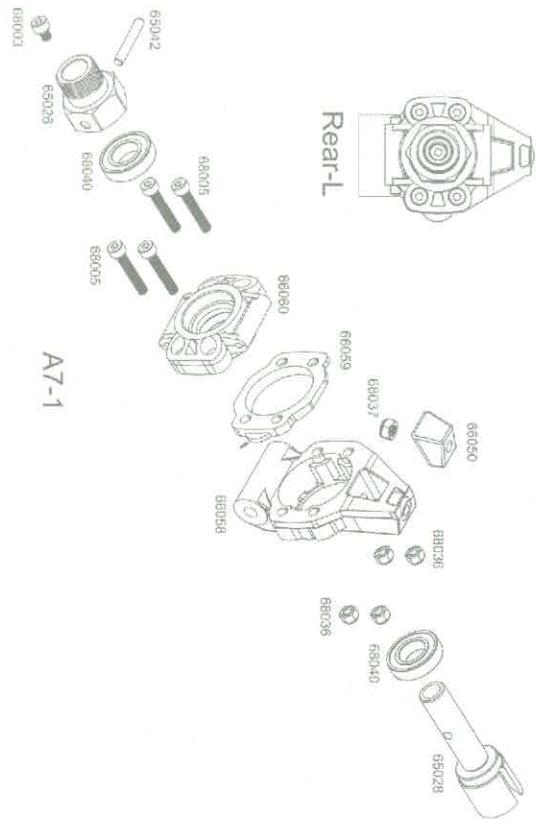
Receiver Power Off (On Vehicle)



Transmitter Power Off (Hand Controller)

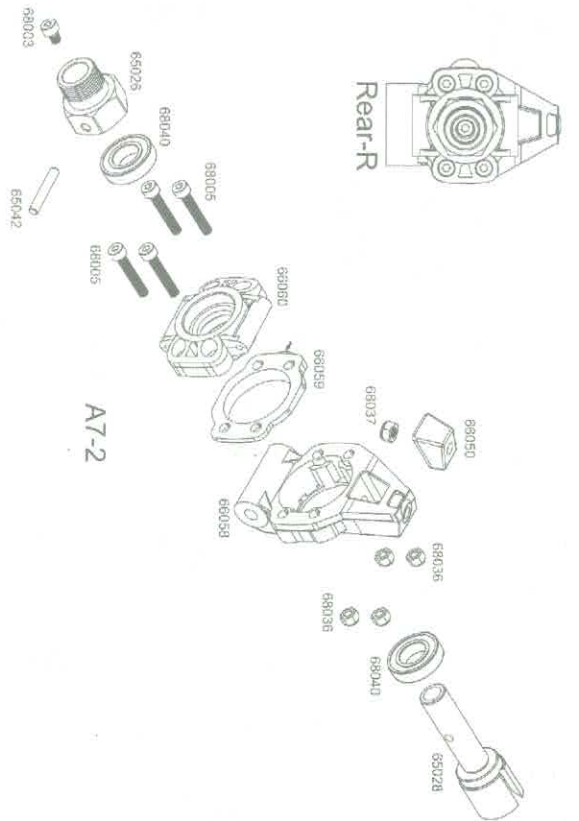
Engine & Vehicle Maintenance

- After each run, check that the wheel nuts and bolts, especially around the engine, are tight. If any parts are loose, apply a small amount of blue medium-strength thread locker before reinstalling.
- The foam air filter should be cleaned after every run. After cleaning, allow it to dry naturally, then re-oil the inner foam filter with a suitable foam air filter oil. Failure to do so may allow dust and dirt to enter the engine, potentially causing permanent damage.
- The spark plug also requires regular cleaning to remove all carbon deposits from the electrode.
- If you plan not to run the vehicle for a while, empty the gasoline from the fuel tank, start the engine, and let it drain the remaining petrol.



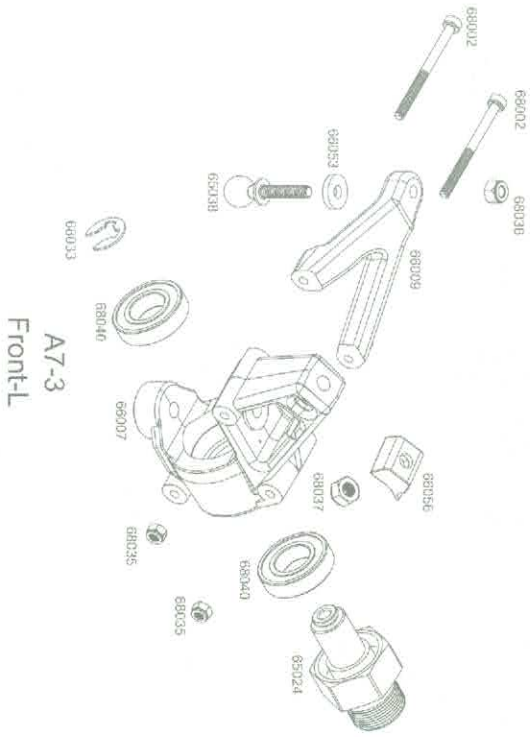
A7-1

Rear-L

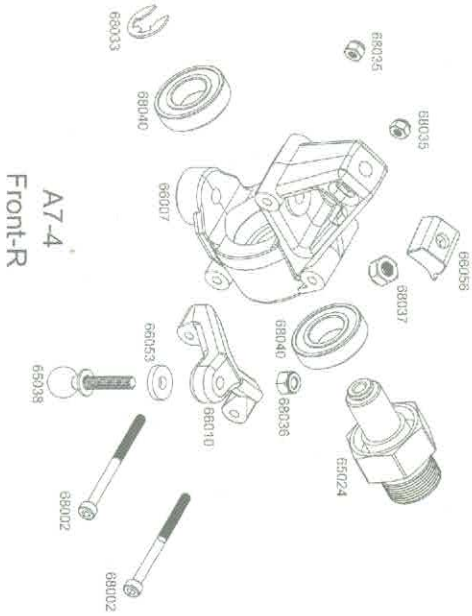


A7-2

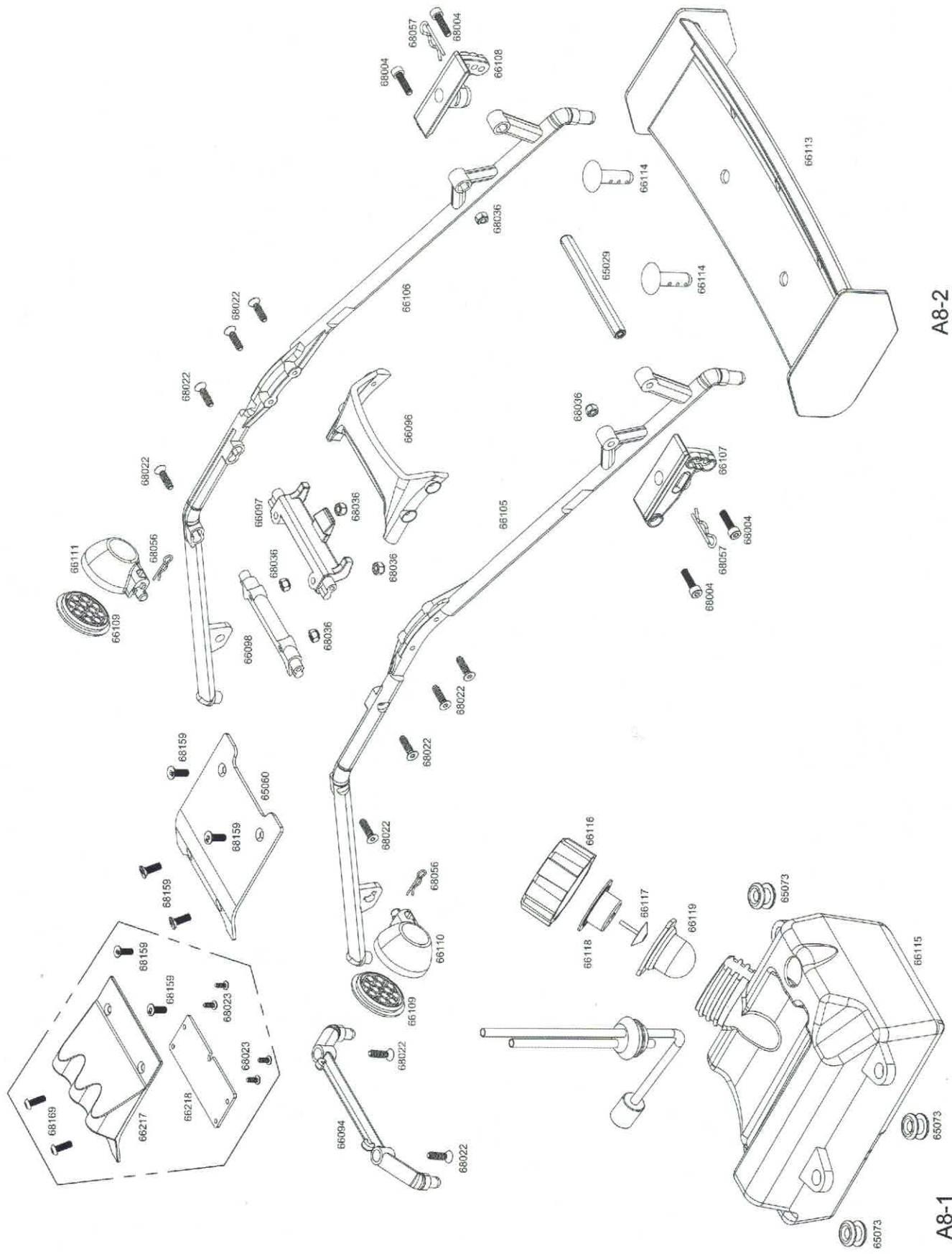
Rear-R



A7-3
Front-L



A7-4
Front-R



A8-2

A8-1

